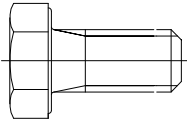




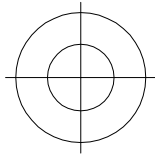
PS  
4540.000

8x



M12x30

8x



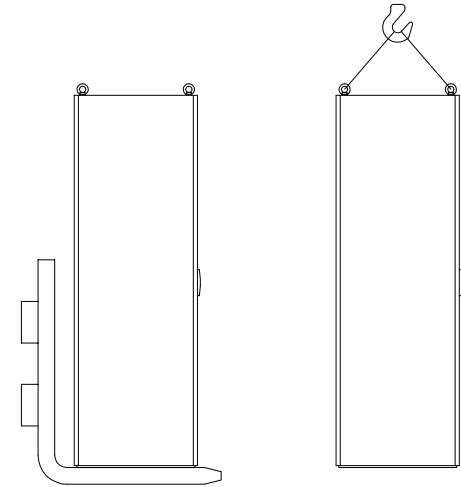
A13

Zchn.-Nr. / No. of dwg. : A2661201PS

Versandbeutel-Nr. / No. of accessory bag : 265367

Lieferanten-Nr. / No. of supplier :

TS 8800.430  
PS 4540.000



TS 8800.400  
TS 8800.410  
TS 8800.420  
TS 8800.470  
TS 8800.490  
PS 8800.500  
PS 4582.500

