

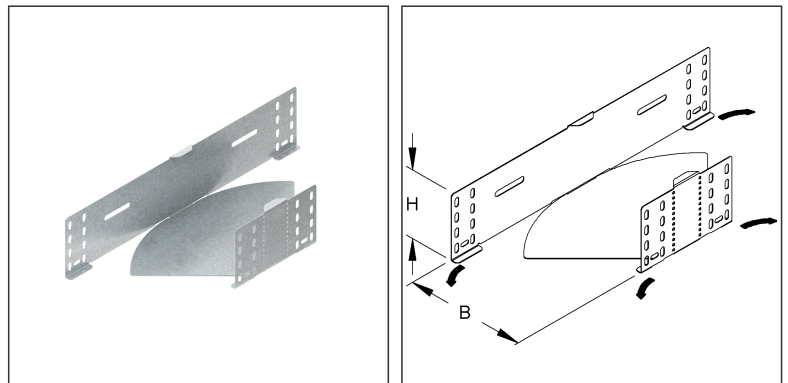
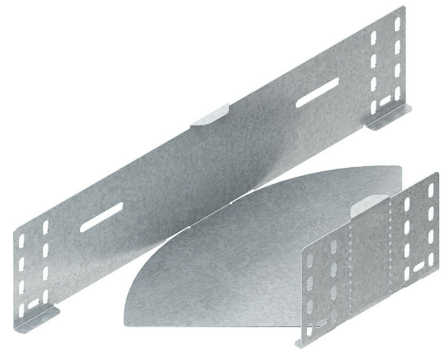
Angle adjustable Fitting

with unperforated side profiles, but with connector perforations, with integrated splice plates

RBAV 110.500

EAN Code: 4013339922482
Smallest packaging unit: 1 pc.

the photorealistic images are to be considered as reference images



Article Description

Angle adjustable fitting, 110x500 mm, with unperforated side beams, steel, pre-galvanised according to DIN EN 10346, incl. accessories

Incl. accessories

1 piece = 1 piece	✓ lowest delivery unit	- preferred delivery unit
Model No.	Description	quantity
FLM 6X12	Mushroom-head bolt M6, similar DIN 603, length 12 mm, steel, electro galvanised according to DIN EN ISO 2081/4042, blue pass	14 pcs.

Additional Price Information

Article group	N13
quantity unit	pcs.

Technical Datasheet

Cable Tray System

RBAV 110.500

the photorealistic images are to be considered as reference images

Weight

Weight per quantity unit	2,821 kg/ pcs.
Weight in kg per 100	282 kg/ 100pcs.

Physical Article Dimensions

Height	112.00 mm
Width	502 mm
Depth/length	985 mm

Packing Dimension

1 piece = 1 piece		✓ VP1-smallest packaging unit (PU)			
Lenght	985 mm	Width	502 mm	Height	112.00 mm
Gross weight	2,82 kg	Volume	0,055 m ³		
Min. quantity	1.00 pcs.	Max. Quantity	1.00 pcs.		

Tender Text

Angle-adjustable fitting, with unperforated side beams, with connector perforation for connection, for cable trays, for flexibly adjustable horizontal directional guidance in an angle range from 0-90°, dimensionally stable due to a continuous overlapping cable tray bottom, with integrated splice plates, including proportional fastening accessories.

for cable trays : 110 mm edge height

Dimensions (approx. dimensions) inside H x W : 110 x 500 mm

Material : steel, pre-galvanised acc. to DIN EN 10346

NIEDAX Model No. : RBAV 110.500

EP Material_____ EP Wage_____

Unit price/piece

Safety & Environment

REACH Date	23.01.2024
REACH Info	Conformable
RoHS Info	Conformable

Origin & International Trade

Country of origin	DE
Federal State of Origin	RP
Customs tarif number	73089059

Technical Datasheet

Cable Tray System

RBAV 110.500

the photorealistic images are to be considered as reference images

Related items

Cover

Model No.	Description
RBAVD 500	Cover for angle-adjustable fitting 0-90° for cable tray, width 502 mm, steel, pre-galvanised according to DIN EN 10346
RDHF 9 E2	Cover clamp, stainless steel, material code: 1.4310