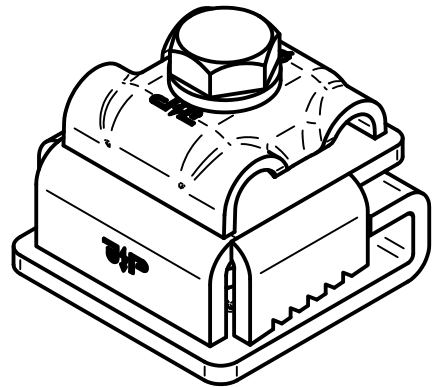
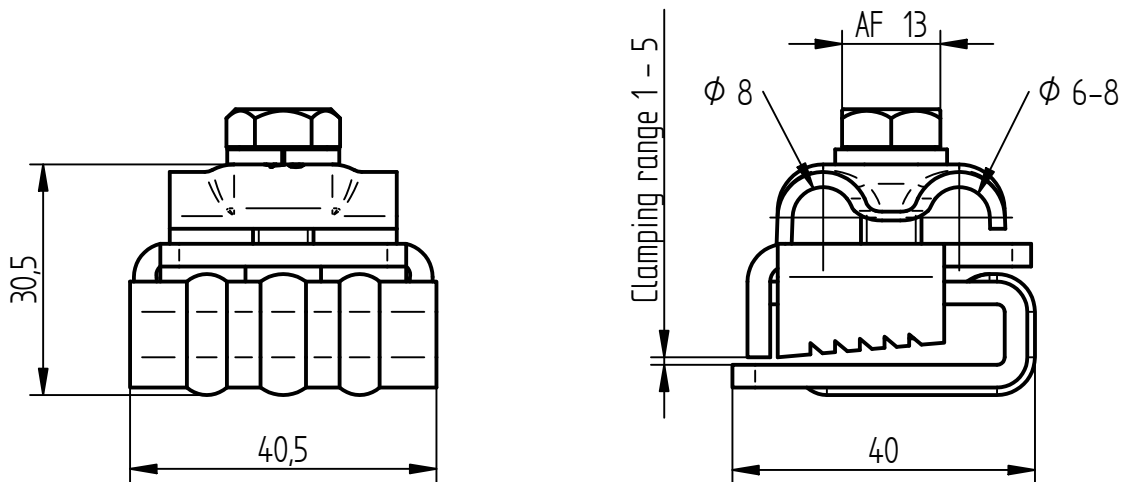


# Product Specification

**Ord.-No.:** **111 688**

**Specification:** Terminal clamp, V2A, Ø 6-8 mm  
clamping range 1-5 mm

**Performance:** Terminal clamp according to DIN EN 62561-1 with clamping jaw for secure connection to metal sheets and steel constructions.



Material	Stainless steel V2A
Clamping range	1-5 mm
Fit	Ø 6-8 mm
Screw	Hexagon bolt M8, stainless steel V2A
Weight	159 g
Standard reference	DIN EN 62561-1
Packing unit	50 units