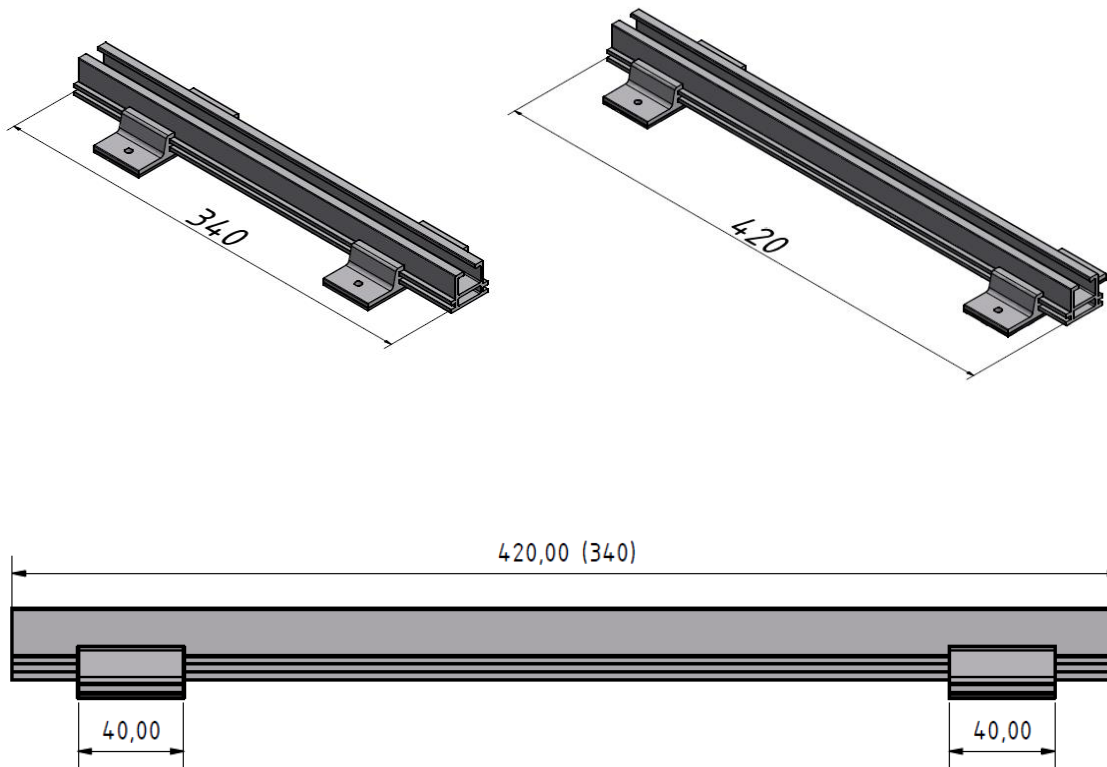


Technical data sheet

Trapezoidal System Eco 340mm / 420mm

Updated: 15.05.2020



Parameter	Values
Material	aluminium, EPDM
Area of application	<p>Trapezoidal sheet profiles made of steel or aluminium with a material thickness of 0.5 - 1.5 mm. Fastening takes place with 4 blind rivets 4.8x15 or 4 self-drilling-screws 5.5x25.</p> <p>required raised bead width: 15 - 40 mm</p> <p>required raised bead spacing:</p> <ul style="list-style-type: none"> - Trapezoidal System Eco 340mm: 207 - 250 mm - Trapezoidal System Eco 420mm: 251 - 333 mm

Subject to errors and modifications.