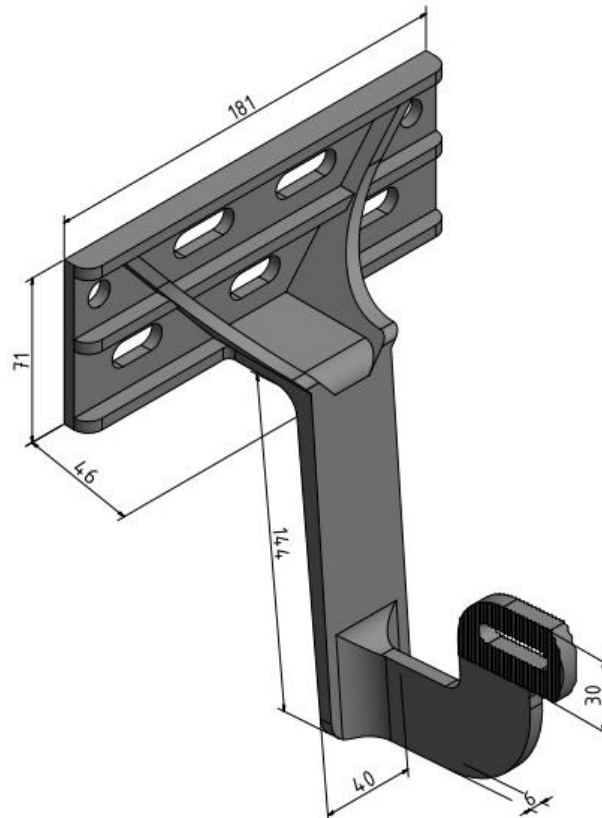


Technical data sheet

Roof Hook Alu-Mammut SV+

Updated: 07.10.2019



Parameter	Values
Material	aluminium (EN AC-42100-K-T6)
Drilling holes (base plate) in mm	2 x Ø9, 3 x Ø9 x 14, 2 x Ø9 x 19
Long hole (strap) in mm	Ø8.5 x 27
Weight in kg	0.455

Subject to errors and modifications.