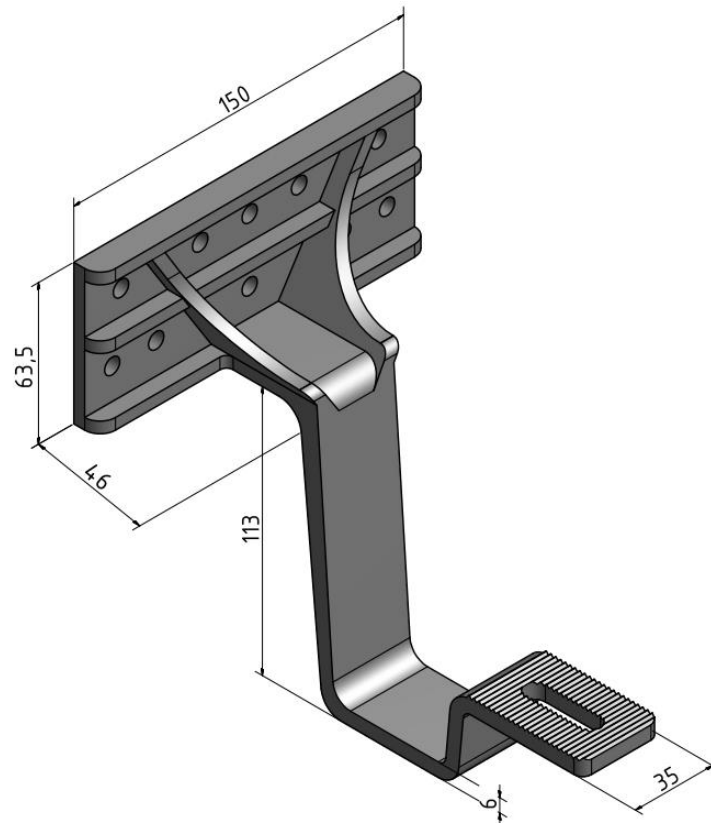


Technical data sheet

Roof Hook Alu-Mammut S+

Updated: 07.10.2019



Parameter	Values
Material	aluminium (EN AC-42100-K-T6)
Drilling holes (base plate) in mm	10 x Ø7
Long hole (strap) in mm	Ø9 x 25
Weight in kg	0.367

Subject to errors and modifications.